



**SE50** **OMNIDIRECTIONAL  
HEADWORN MICROPHONE**

MICRO OMNIDIRECTIONNEL AVEC FIXATION SUR L'OREILLE

**Owner's Manual**

***SAMSON***<sup>®</sup>

# Table of Contents

Introduction. . . . .	.1
SE50 Features. . . . .	.2
Using the SE50 . . . . .	.3
Specifications. . . . .	.4

Copyright 2008, Samson Technologies Corp.  
Printed July, 2008 v1.0  
Samson Technologies Corp.  
45 Gilpin Avenue  
Hauppauge, New York 11788-8816  
Phone: 1-800-3-SAMSON (1-800-372-6766)  
Fax: 631-784-2201  
[www.samsontech.com](http://www.samsontech.com)

---

# Introduction

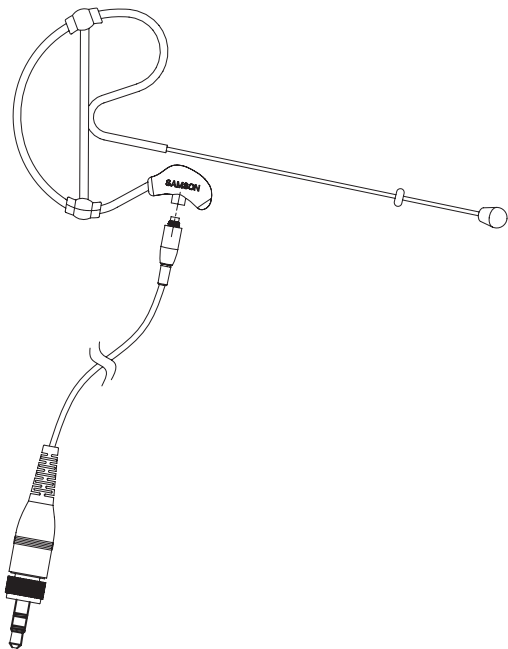
Congratulations—you've made an excellent choice in your purchase of the Samson SE50 Earset Microphone! The SE50 is a low profile, ear-worn, microminiature condenser microphone with a 2.5mm capsule producing outstanding audio quality making it perfect for spoken word and other vocal applications. The microphone can be easily shaped to fit the left or right ear and the clever retaining band holds the mic in place even when used in fitness applications. Thanks to the omnidirectional pick up pattern, the microphone's off axis frequency response is linear, resulting in a clear and articulate reproduction regardless of the position of the capsule relative to the sound source. The microphone has been specially treated with a water resistant coating providing extra protection from sweat and other moisture. In addition, there is a moisture guard drip-ring to further protect the capsule and ensure reliable performance. Available in both beige and black color, the SE50 Earset is particularly well-suited for use with Samson wireless systems and with four included adapters, the microphone can be used with most any other manufacturer's wireless body pack systems. Other accessories included in the kit are a clothing cable clip, three windscreens and an attractive carry case to hold the SE50, all the accessories, plus a compartment to hold most any body pack. Manufactured with extreme care and the highest quality components, the SE50 delivers an exceptionally clear, articulate sound with reliable performance in an extremely low profile, nearly invisible design.

In this manual, you'll find a detailed description of the features of your SE50 Earset microphone, as well as instructions for using your SE50 Earset and complete specifications. You'll also find a warranty card enclosed—don't forget to fill it out and mail it in! This will enable you to receive online technical support and will allow us to send you updated information about other Samson products in the future. Also, be sure to check out our website ([www.samsontech.com](http://www.samsontech.com)) for complete information about our full product line.

Should your SE50 ever require servicing, a Return Authorization number (RA) must be obtained before shipping your unit to Samson. Without this number, the unit will not be accepted. Please call Samson at 1-800-3SAMSON (1-800-372-6766) for a Return Authorization number prior to shipping your unit. Please retain the original packing materials and if possible, return the unit in the original carton and packing materials. If you purchased your Samson product outside the United States, please contact your local distributor for warranty information and service.

---

## SE50 Features



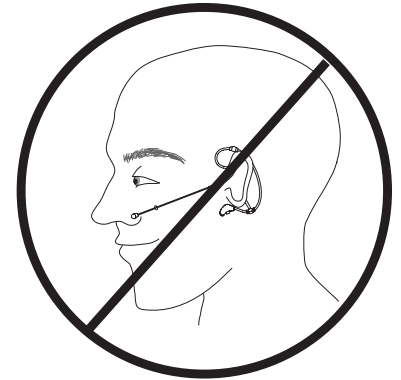
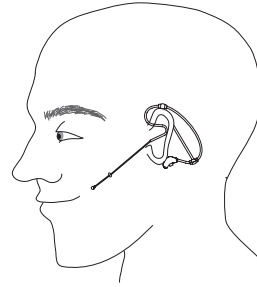
The SE50 Omnidirectional Ear worn microphone provides excellent vocal reproduction in a nearly invisible, low profile single ear design. Following below are the SE50 main features:

- Micro-miniature, inconspicuous condenser with 2.5mm capsule
- Fits left or right ear, plus retaining band holds mic in place even when used in fitness applications
- Moisture resistant coating plus retaining band to hold mic in place for fitness applications
- Detachable cable for easy service or reconfiguration
- Adjustable drip ring helps protect the microphone element from sweat
- Four cable adapters are included for compatibility with most popular wireless transmitters
- Also, includes three windscreens, clothing cable clip and carry case to fit microphone plus transmitter body pack
- Omnidirectional pick up pattern, the microphone's off axis frequency response is linear
- Available in black or beige color
- Three year extended warranty

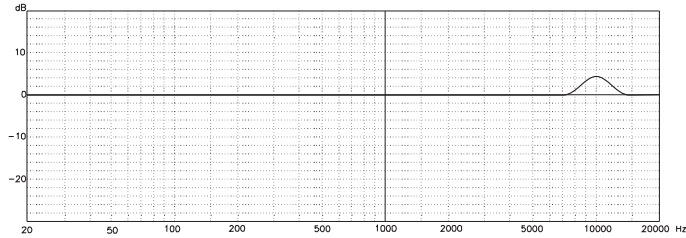
---

## Using the SE50

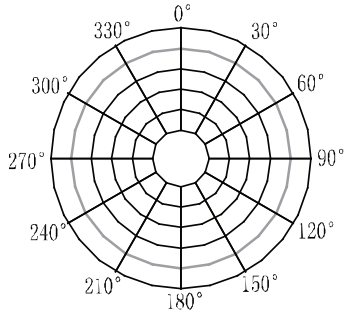
1. Install the cable by connecting to the screw terminal located at the bottom of the ear pad. Then install the adapter that's correct for your wireless body pack. Be sure to tighten the locking ring to hold the adapter firmly in place.
2. The microphone can be re-sized to fit nearly any size ear simply by bending the wire into a new shape. Be sure to fit the microphone's ear pad behind your ear. Do not wrap the ear pad around your ear. See the following graphic.
3. For optimal performance the microphone should be positioned close to the skin and towards the corner of the mouth, approximately a half inch away.
4. Once the microphone is in position, use the clothing cable clip to restrain the cable to ensure the microphone stays in place.
5. Position the moisture guard ring as close to the capsule as possible.
6. For outdoor use and to help reduce p-popping, install one of the included windscreens.



# Specifications



*SE50 Frequency Response*



*SE50 Polar Pattern*

- Element: . . . . . Back electret condenser
- Polar pattern: . . . . . Omni-directional
- Frequency Response: . . . . . 20Hz-20KHz
- Sensitivity: . . . . .  $-45\pm 3\text{dB } 1\text{V/Pa/at } 1\text{kHz}$
- Output impedance: . . . . .  $2\text{K}\Omega\pm 30\%$
- SPL max: . . . . . 140dB
- Operating voltage: . . . . . 1.5-12V D.C
- Cable: . . . . .  $\Phi 1.4\text{mm}\times 1.2\text{m}$
- Weight: . . . . . 13g
- Dimension: . . . . .  $\Phi 3.5\text{mm}$
- Output connector: . . . . . 2.5mm
- Included Adapters . . . . . Shure, AT, AKG, Sennhieser
- Accessory: . . . . . Windscreen, tie-clip

*Specifications are subject to change without notice.*



Samson Technologies Corp.  
45 Gilpin Avenue  
Hauppauge, New York 11788-8816  
Phone: 1-800-3-SAMSON (1-800-372-6766)  
Fax: 631-784-2201  
[www.samsontech.com](http://www.samsontech.com)